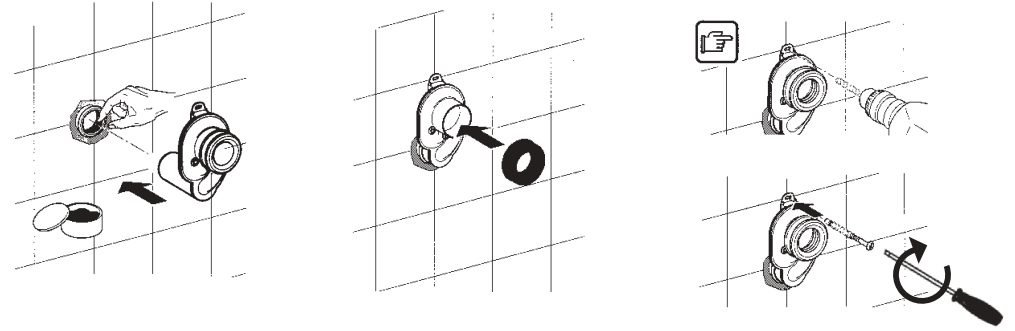
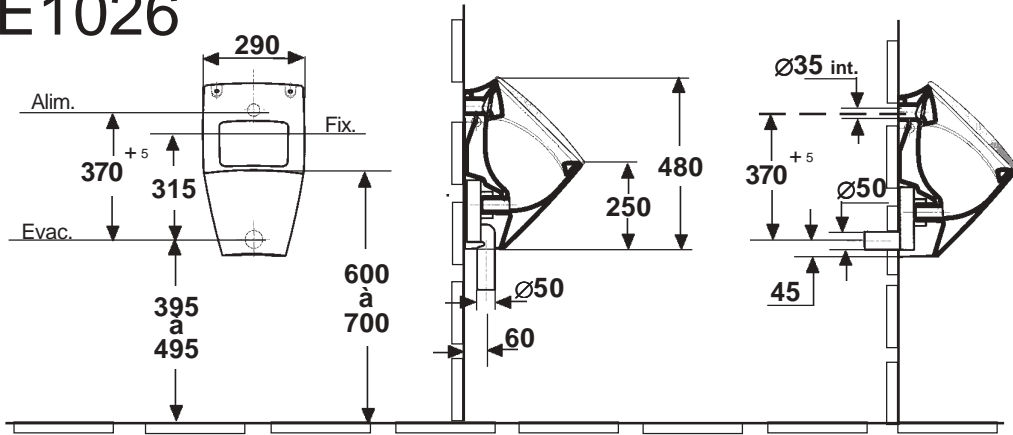
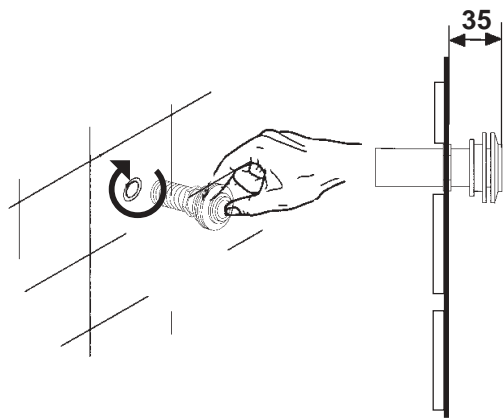


E1026



EVACUATION - OUTLET



ALIMENTATION - WATER

